

6" Two Way Wall Mount Speaker (40W)

FWS-540

Feature:

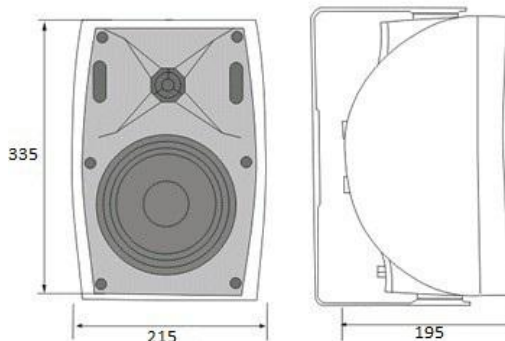
- ✓ Commercial PA system wall mount speaker with transformer
- ✓ Ideal for school, office, hotel and airport background music system
- ✓ Economy rang fashion wall mount cabinet loudspeaker
- ✓ Rated power output 40W at 100V
- ✓ 6" woofer and 1.5" tweeter two way speaker units
- ✓ Line input 100V or 70V
- ✓ ABS enclosure, metal grille in black
- ✓ Quick installation by supplied stainless mounting bracket



Specification:

Model	FWS-540
Description	6" Two Way Wall Mount Speaker
Rated Power Output	40W
Line Input	100V or 70V
Frequency Response	100-20KHz
SPL(@1W/m)	92dB
Speaker Unit	6" woofer and 1.5" tweeter two way speaker units
Dimension	335 (W)×215(D)×195(H)mm
Material	ABS enclosure and metal grille in black
Mounting Way	Quick installation by supplied stainless mounting bracket
Weight	3.7kg

Side View & Dimensions:



Frequency Response VS SPL Diagram:

